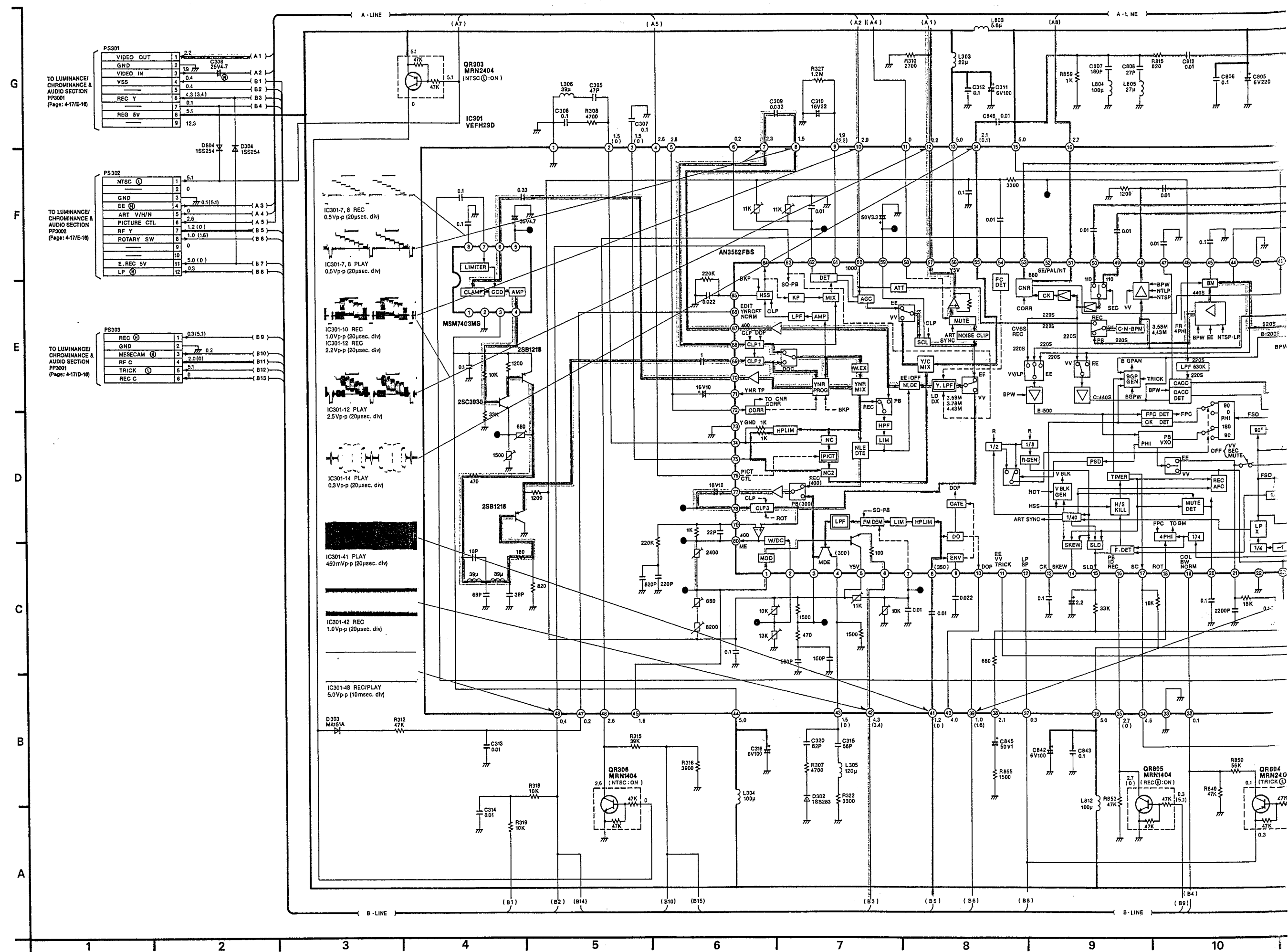


4-11. LUMINANCE & CHROMINANCE PACK SCHEMATIC DIAGRAM (NV-HD90EE)



G
T
E
D
C
B
A

PS301

VIDEO OUT	1	2.2	(A1)
GND	2		
VIDEO IN	3	15	(A2)
VSS	4	0.4	(B1)
REC Y	5	0.4	(B2)
REC B	6	4.3 (3.4)	(B3)
REC R	7	0.1	(B4)
REQ 5V	8	5.1	
	9	12.3	

TO LUMINANCE/CHROMINANCE & AUDIO SECTION PP3001 (Page: 4-17/E-18)

PS302

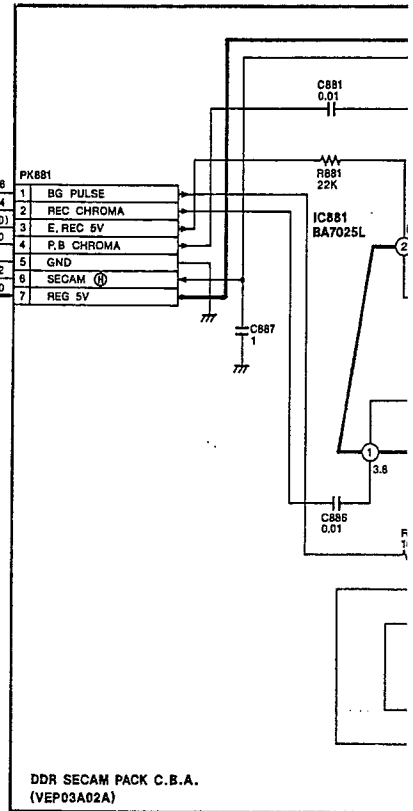
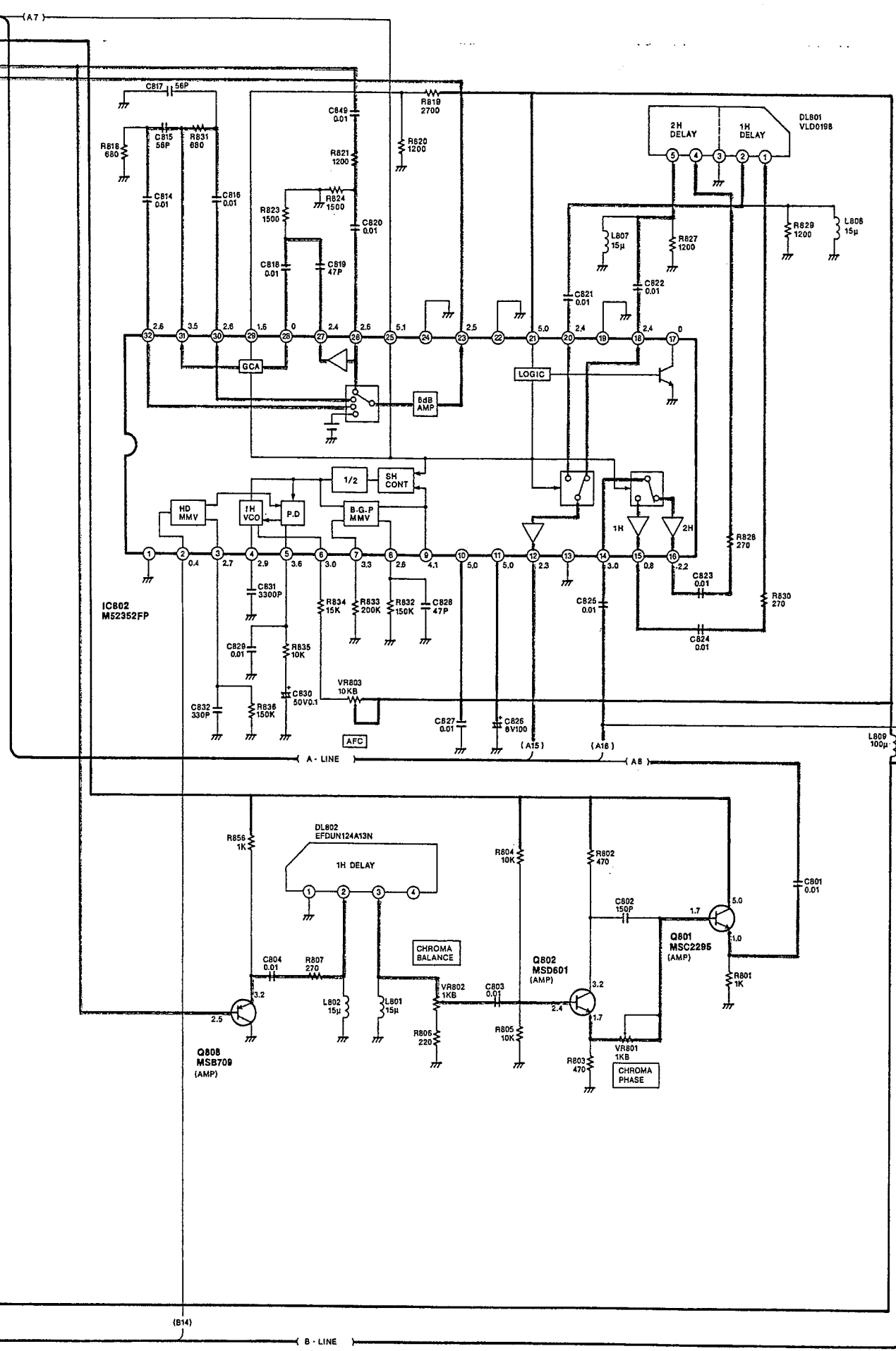
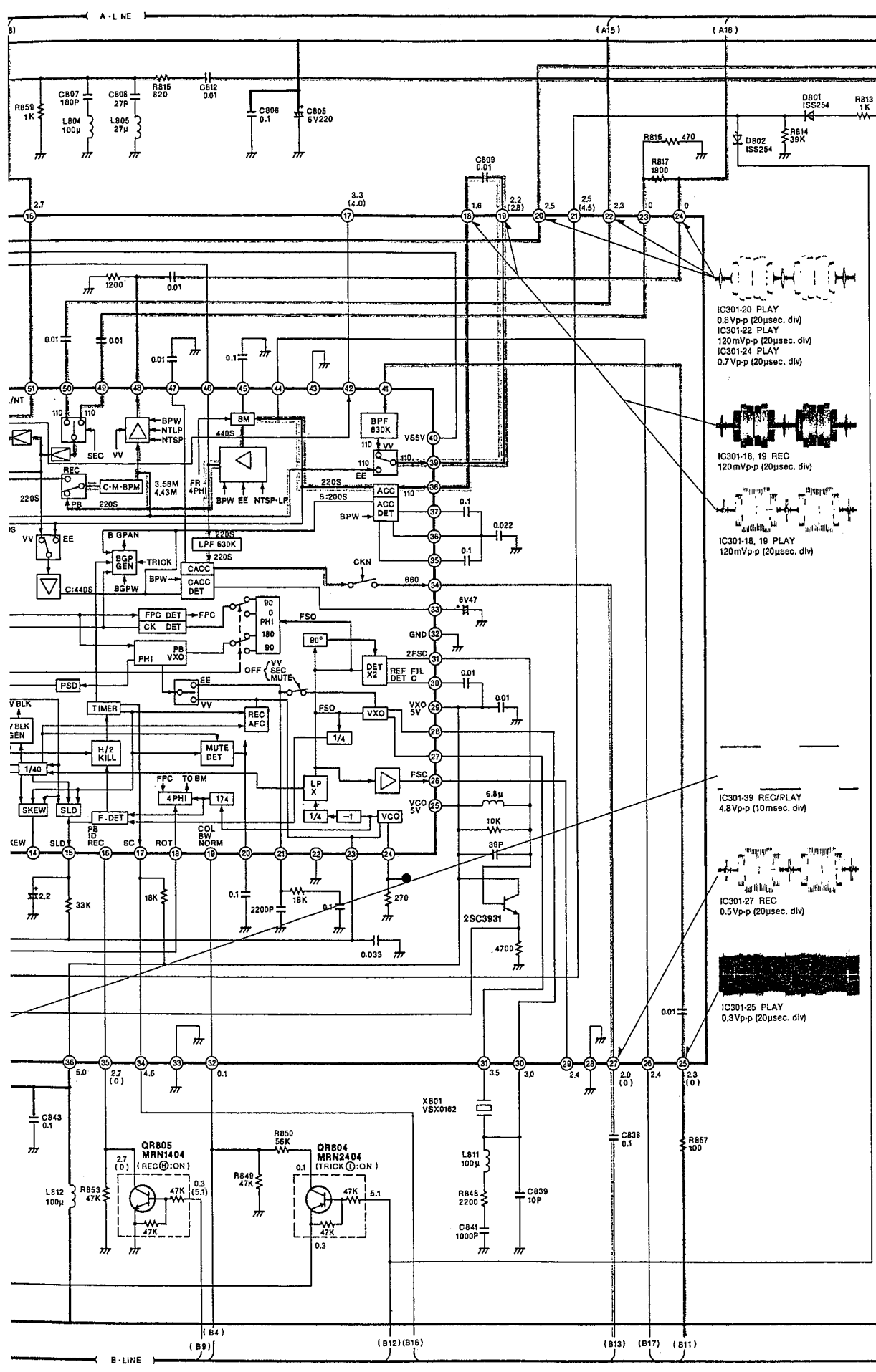
NTSC	1	5.1	(A3)
GND	2	0	
EE	3	0.1 (5.1)	(A4)
ART V/H/N	4	0	(A5)
PICTURE CTL	5	2.6	(B5)
RF Y	6	1.2 (0)	(B6)
ROTARY SW	7	1.0 (1.8)	
	8	0	
	9	0	
E REC 5V	10	5.0 (0)	(B7)
LP	11	0.3	(B8)
	12		

TO LUMINANCE/CHROMINANCE & AUDIO SECTION PP3002 (Page: 4-17/E-18)

PS303

REC	1	0.3 (5.1)	(B9)
GND	2		
MESECAM	3	0.2	(B10)
RF C	4	2.0 (0)	(B11)
TRICK	5	5.1	(B12)
REC C	6	0	(B13)

TO LUMINANCE/CHROMINANCE & AUDIO SECTION PP3001 (Page: 4-17/D-18)





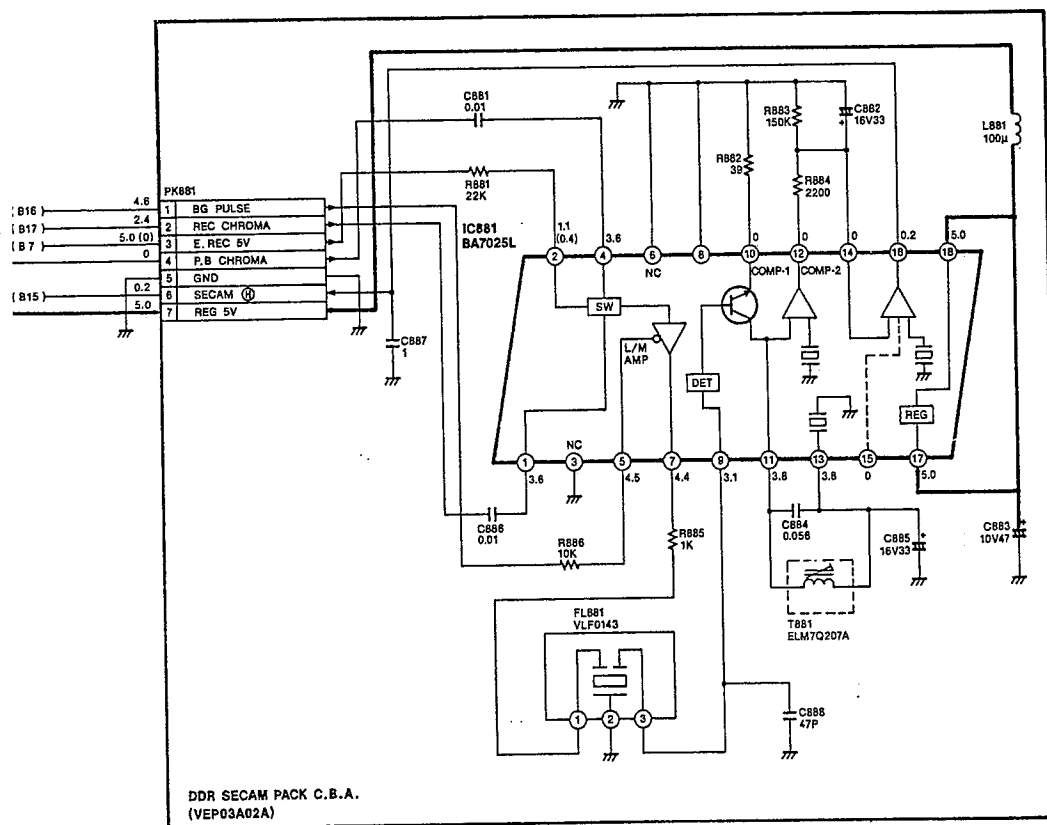
MAIN SIG
MAIN SIG

DDR SECAM PACK C.B.A.
(VEP03A02A)

NOTE: DO NOT USE ANY PA
ORDERING. WHEN)

NOTE: THE MEASUREMENT MODE OF THE DC VOL
WITH PAL COLOUR SIGNAL. (SP MODE)
THE MEASUREMENT MODE OF THE DC VOL
WITH PAL COLOUR SIGNAL. (SP MODE)

 MAIN SIGNAL PATH IN REC MODE
 MAIN SIGNAL PATH IN PLAYBACK MODE



NOTE: DO NOT USE ANY PART NUMBER SHOWN ON THIS SCHEMATIC DIAGRAM FOR ORDERING. WHEN YOU ORDER A PART, PLEASE REFER TO PARTS LIST.

NOTE: THE MEASUREMENT MODE OF THE DC VOLTAGE IN THE BRACKETS () ON THIS DIAGRAM IS RECORD MODE WITH PAL COLOUR SIGNAL. (SP MODE)
 THE MEASUREMENT MODE OF THE DC VOLTAGE OUT OF THE BRACKETS ON THIS DIAGRAM IS PLAYBACK MODE WITH PAL COLOUR SIGNAL. (SP MODE)